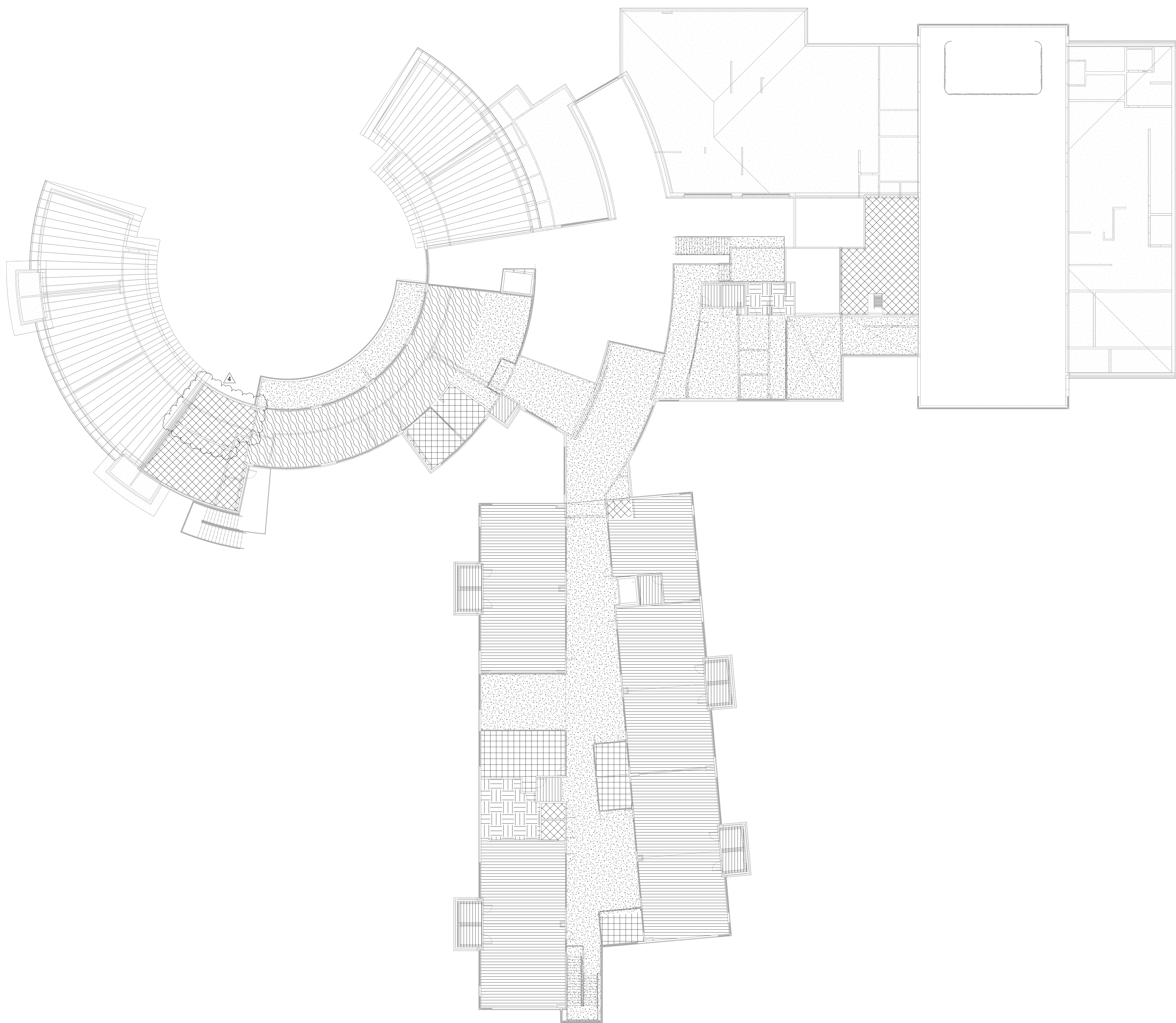
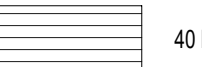
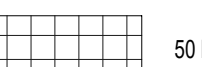

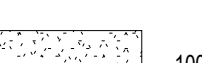





1 LIVE LOAD PLAN - SECOND FLOOR
1/16" = 1'-0"



LIVE LOAD LEGEND:

-  40 PSF
-  50 PSF
-  60 PSF
-  100 PSF
-  125 PSF
-  150 PSF
-  250 PSF

ero architects
 300 S. 8th Street,
 McAllen, TX 78501
 T 956-681-0400
 F 956-681-0401
 eroarchitects.com

STATE OF TEXAS
 JOEL D. GALINDO
 1222384
 ARCHITECT
 02-01-19

100% CONSTRUCTION DOCUMENTS

- CONSULTANTS:**
LANDSCAPE:
 COLEMAN ASSOCIATES
 8600 DA VERT ACADEMY DRIVE
 AUSTIN, TEXAS 78757
 TEL: 512.338.2000
- CIVIL:**
 GARZA EMC
 7708 REAL TO BLVD, STE. 125
 AUSTIN, TEXAS 78754
 TEL: 512.338.3344
- STRUCTURAL:**
 ERO ARCHITECTS
 300 S. 8TH ST
 McALLEN, TX 78501
 TEL: 956.681.0400
- ARCHITECT:**
 ERO ARCHITECTS
 300 S. 8TH ST
 McALLEN, TX 78501
 TEL: 956.681.0400
- MEP:**
 ENCO TECH ENGINEERING
 CONSULTANTS
 8500 SUFFOLKSTONE DRIVE, STE. B103
 AUSTIN, TEXAS 78759
 TEL: 512.338.2000
- ACOUSTICAL:**
 WJHW
 3624 HICKORY ST, STE. 124
 CARROLLTON, TEXAS 75006
 TEL: 972.944.8700
- LEED / ENERGY MODEL:**
 OFFICE FOR LOCAL
 ARCHITECTURE
 201 E. 2TH STREET, NO. 104
 AUSTIN, TEXAS 78701
 TEL: 512.563.1711
- FOOD SERVICE:**
 BOGMA DESIGN SOLUTIONS
 2201 LONG PRAIRIE ROAD, STE. 107-727
 FLOWER MOUND, TEXAS 75028
 TEL: 877.822.2374
- DATA / COMMUNICATIONS:**
 TRINITY MEP ENGINEERING
 3023 MORELAND DR
 WESLACO, TEXAS 75786

TA BROWN ELEMENTARY
 111 West 8th Street
 Austin, Texas 78703
 AUSTIN INDEPENDENT SCHOOL DISTRICT

PROJECT NAME
 PROJECT LOCATION
 PROJECT OWNER

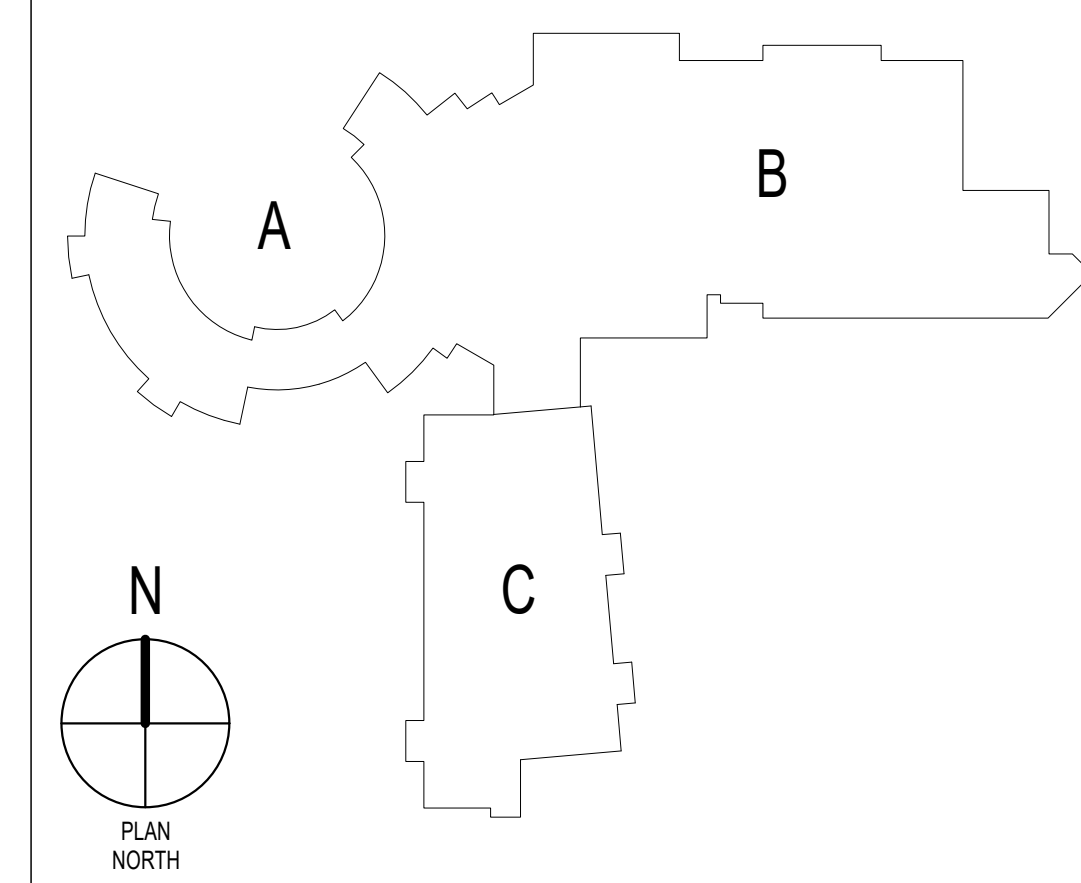
No.	Date	Description
4	02/01/19	CITY COMMENTS & ADDENDUM 4

PROJECT NO.: 18001
 DRAWN BY: JC
 CHECKED BY: JG
 SHEET TITLE:

LIVE LOAD PLAN - SECOND FLOOR

SG006

KEYPLAN



GENERAL NOTES - SPECIAL SYSTEMS

- A. COORDINATE EXACT LOCATION AND MOUNTING HEIGHT OF ALL POWER SOURCE WIRING IN ACCORDANCE WITH ARCHITECTURAL MILLWORK.
- B. PROVIDE CLEAR VANDAL COVER WITH STOPPER II OPTION FOR ALL FIRE ALARM PULL STATIONS.
- C. ALL SPECIAL SYSTEM CONDUITS SHALL BE STUBBED UP ABOVE THE CEILING LEVEL. IF CABLE TRAY IS PRESENT, STUBBED CONDUITS TO CABLE TRAY.
- D. COORDINATE EXACT LOCATION OF ALL MECHANICAL EQUIPMENT IN ACCORDANCE WITH MECHANICAL DRAWINGS.
- E. ALL CONDUITS SHALL BE REAMED AND COMPLETE WITH CONNECTORS AND INSULATED BUSHINGS AT BOTH ENDS.
- F. ALL DEVICES SHOWN ON DRAWINGS ARE SYMBOLIC ONLY. THE ENTIRE FIRE ALARM SYSTEM SHALL BE IN FULL COMPLIANCE AND MEET ALL CODES AND EQUIPMENT OF THE LOCAL ADMINISTRATIVE AUTHORITY. ANY MODIFICATIONS REQUIRED TO PROVIDE COMPLIANCE SHALL BE MADE AT NO ADDITIONAL COST TO THE OWNER OR ARCHITECT/ENGINEER.
- G. PROVIDE 2" C WITH MULTIPLE PULLSTRINGS ABOVE CEILING FOR SPECIAL SYSTEMS PATHWAY ABOVE CEILING LEVELS FOR ALL ROOM PENETRATIONS INCLUDING BUT NOT LIMITED TO CLASSROOMS, OFFICES, CORRIDORS, IT ROOMS. ALL FIRE RATED WALLS. SEAL AROUND CONDUITS WITH FIRE RATED SEALANT. CONDUITS TO BE SUPPORTED FROM STRUCTURAL FIELD. COORDINATE EXACT LOCATION. COORDINATE ALL CEILING LEVELS AND CEILING TYPES WITH ARCHITECTURAL DOCUMENTS PRIOR TO COMMENCING ANY ROUGH-INS.

erō architects
 300 S. 8th Street,
 McAllen, TX 78501
 T 956-661-6400
 F 956-661-6401
 eroarchitects.com

TRINITY
 MEP ENGINEERING
 3533 Monroed Dr. Ste A | Weslaco, TX
 78796 p 956.973.0500 | f 956-301-5750
 www.trinitymep.com | Copyright 2017
 Texas Registered Engineering Firm -
 F12062 Project number: 18.3.35

FINALS
 01/22/2019



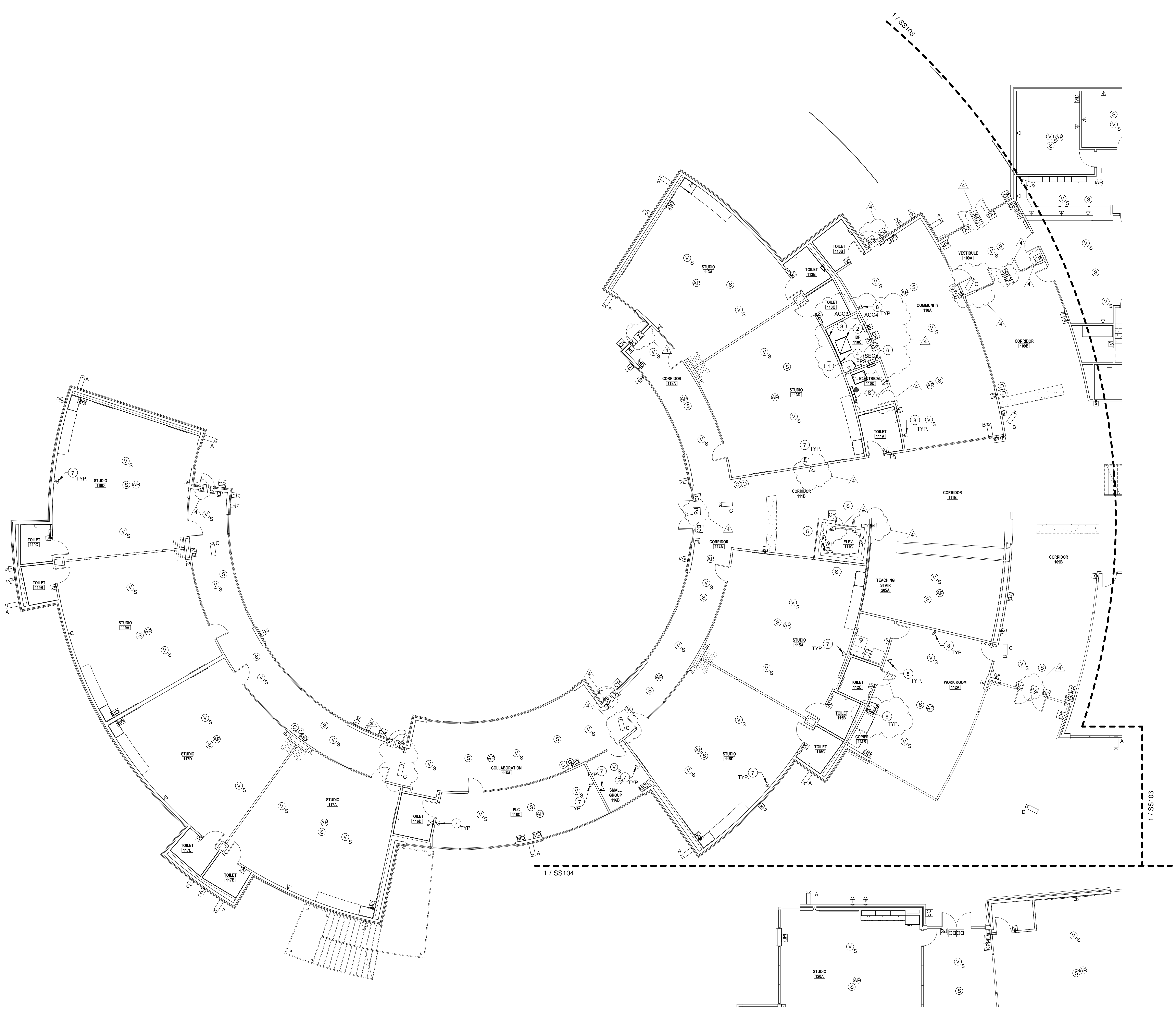
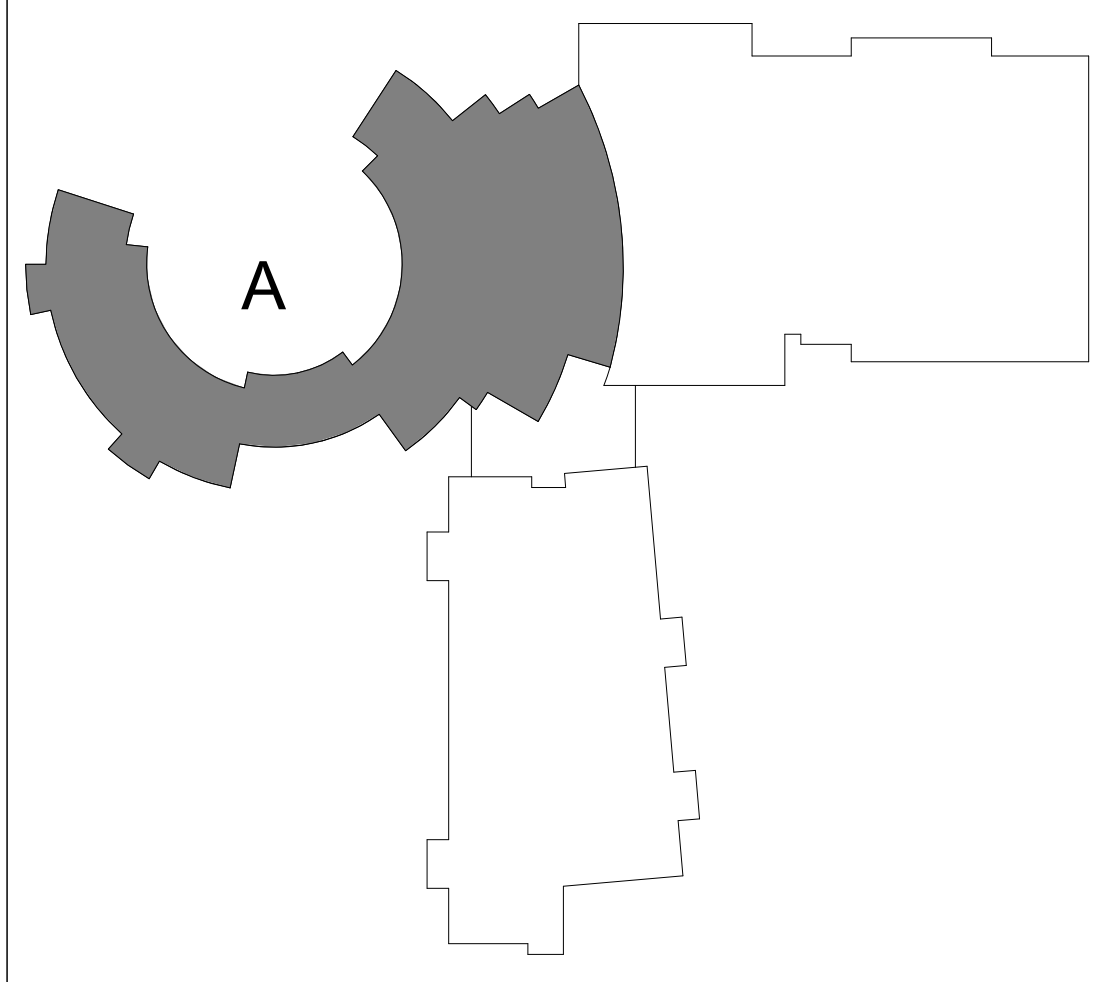
ELECTRICAL KEYNOTES	
1	FIRE ALARM POWER SUPPLY LOCATION. ELECTRICAL CONTRACTOR TO PROVIDE 120V POWER TO PANEL. COORDINATE EXACT LOCATION WITH OWNER PRIOR TO ANY WORK.
2	PROPOSED IDF RACK LOCATION. COORDINATE LOCATION WITH OWNER.
3	3/4" FIRE RATED PLYWOOD TELEPHONE BOARD FINISHED ONE SIDE ALONG ENTIRE WALL. PROVIDE GROUND BAR AND TIE INTO ELECTRICAL GROUNDING SYSTEM VIA WIRE #4.
4	PROVIDE GROUND BAR 24" AFF. REFER TO DETAIL.
5	FIRE ALARM DEVICE LOCATED IN ELEVATOR PIT.
6	SECURITY PANEL LOCATION. ELECTRICAL CONTRACTOR TO PROVIDE 120V POWER TO PANEL. COORDINATE EXACT LOCATION WITH OWNER PRIOR TO ANY WORK.
7	TECHNOLOGY DATA OUTLET SHALL INCLUDE (1) CATEGORY 6A NETWORK CABLE. THIS APPLIES TO ALL CLASSROOM OR STUDIO ROOMS. ROUTE CABLE FROM OUTLET TO RESPECTIVE IDF/MDF ROOM EQUIPMENT.
8	TECHNOLOGY DATA OUTLET SHALL INCLUDE (2) CATEGORY 6A NETWORK CABLE. THIS APPLIES TO ALL OFFICES, CONFERENCE ROOMS, LIBRARY. ROUTE CABLE FROM OUTLET TO RESPECTIVE IDF/MDF ROOM EQUIPMENT.

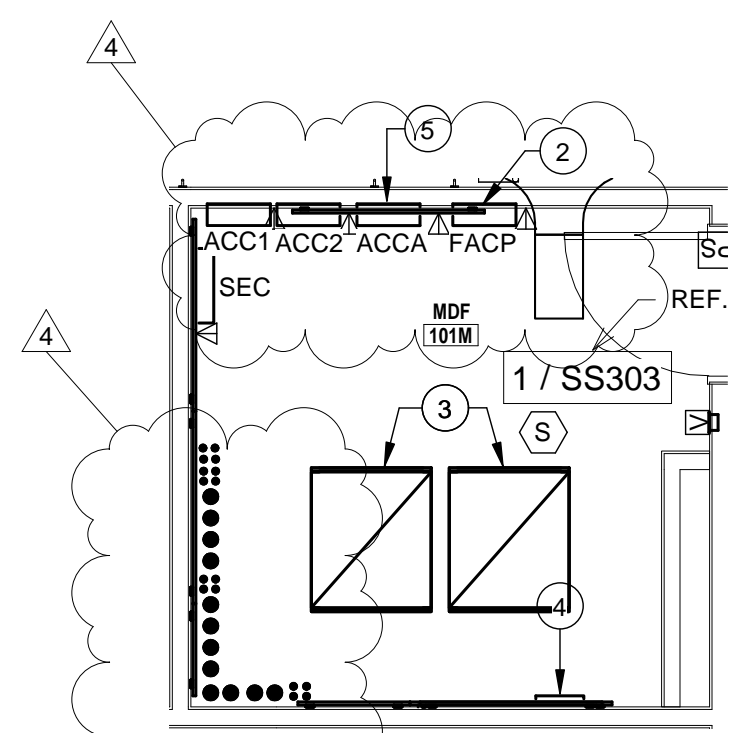
- CONSULTANTS:**
LANDSCAPE:
 COLEMAN ASSOCIATES
 960 SILVER ACACUAN DRIVE
 AUSTIN, TEXAS 78757
 TEL: 512.478.2090
- CIVIL:**
 GARZA EMC
 7708 W. 10TH ST. STE. 120
 AUSTIN, TEXAS 78755
 TEL: 512.238.2004
- STRUCTURAL:**
 ERO ARCHITECTS
 300 S. 8TH ST.
 McALLEN, TX 78501
 TEL: 956.661.6400
- ARCHITECT:**
 ERO ARCHITECTS
 300 S. 8TH ST.
 McALLEN, TX 78501
 TEL: 956.661.6400
- MEP:**
 ENCO TECH ENGINEERING
 CONSULTANTS
 6500 RALPH STONE CIRCLE, STE. B110
 AUSTIN, TEXAS 78759
 TEL: 512.338.1501
- ACOUSTICAL:**
 WJPHV
 3404 HODGKIN, STE. 124
 CARROLLTON, TEXAS 75006
 TEL: 972.894.3700
- LEED / ENERGY MODEL:**
 OFFICE FOR LOCAL
 ARCHITECTURE
 208 E. 21ST STREET, NO. 104
 AUSTIN, TEXAS 78701
 TEL: 512.533.7171
- FOOD SERVICE:**
 BOSMA DESIGN SOLUTIONS
 2201 LONG PINE ROAD, STE. 107/127
 FLOWER MOUND, TEXAS 75028
 TEL: 469.222.2244
- FIRE / DATA / COMMUNICATIONS:**
 TRINITY MEP ENGINEERING
 3533 MONROED DR.
 WESLACO, TEXAS 78756

TA BROWN ELEMENTARY
 7801 Cuckooing St
 Austin, Texas 78752
 AUSTIN INDEPENDENT SCHOOL DISTRICT

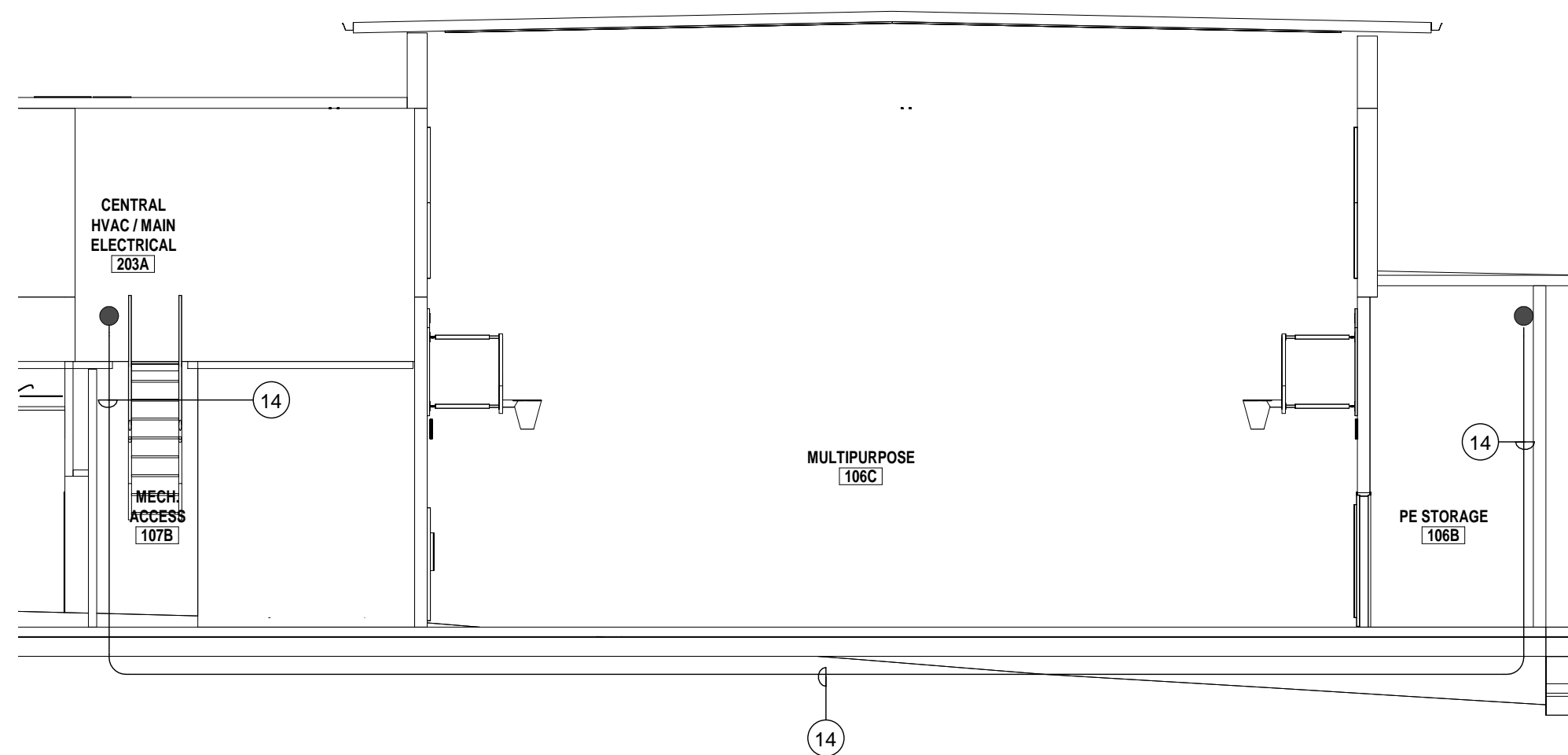
No.	Date	Description
3	01-07-19	ADDENDUM #3
4	01-22-19	CITY COMMENTS ADDENDUM #4

PROJECT NO: 18001
 DRAWN BY: Auh04
 CHECKED BY: Checker
 SHEET TITLE:
 SPECIAL SYSTEMS
 FIRST FLOOR -
 BUILDING A





2 SPECIAL SYSTEM FIRST FLOOR PLAN - COLONY -MDF ROOM
1/4" = 1'-0"



3 Section 13
1/8" = 1'-0"



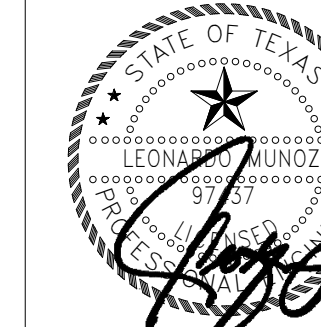
1 SPECIAL SYSTEM FIRST FLOOR PLAN - COLONY
1/8" = 1'-0"

GENERAL NOTES - SPECIAL SYSTEMS

- A. COORDINATE EXACT LOCATION AND MOUNTING HEIGHT OF ALL POWER SOURCE WIRING IN ACCORDANCE WITH ARCHITECTURAL MILLWORK.
- B. PROVIDE CLEAR VANDAL COVER WITH STOPPER II OPTION FOR ALL FIRE ALARM PULL STATIONS.
- C. ALL SPECIAL SYSTEM CONDUITS SHALL BE STUBBED UP ABOVE THE CEILING LEVEL. IF CABLE TRAY IS PRESENT, STUBBED CONDUITS TO CABLE TRAY.
- D. COORDINATE EXACT LOCATION OF ALL MECHANICAL EQUIPMENT IN ACCORDANCE WITH MECHANICAL DRAWINGS.
- E. ALL CONDUITS SHALL BE REAMED AND COMPLETE WITH CONNECTORS AND INSULATED BUSHPINGS AT BOTH ENDS.
- F. ALL DEVICES SHOWN ON DRAWINGS ARE SYMBOLIC ONLY. THE ENTIRE FIRE ALARM SYSTEM SHALL BE IN FULL COMPLIANCE AND MEET ALL CODES AND EQUIPMENT'S OF THE LOCAL ADMINISTRATIVE AUTHORITY. ANY MODIFICATIONS REQUIRED TO PROVIDE COMPLIANCE SHALL BE MADE AT NO ADDITIONAL COST TO THE OWNER OR ARCHITECT/ENGINEER.
- G. PROVIDE 2" C WITH MULTIPLE PULLSTRINGS ABOVE CEILING FOR SPECIAL SYSTEMS PATHWAY ABOVE CEILING LEVELS FOR ALL ROOM PENETRATIONS INCLUDING BUT NOT LIMITED TO CLASSROOMS, OFFICES, CORRIDORS, IT ROOMS, ALL FIRE RATED WALLS. SEAL AROUND CONDUITS WITH FIRE RATED SEALANT. CONDUITS TO BE SUPPORTED FROM STRUCTURAL FIELD COORDINATE EXACT LOCATION. COORDINATE ALL CEILING LEVELS AND CEILING TYPES WITH ARCHITECTURAL DOCUMENTS PRIOR TO COMMENCING ANY ROUGH-IN.

ELECTRICAL KEYNOTES

- 1 FIRE ALARM POWER SUPPLY LOCATION. ELECTRICAL CONTRACTOR TO PROVIDE 120V POWER TO PANEL. COORDINATE EXACT LOCATION WITH OWNER PRIOR TO ANY WORK.
- 2 FIRE ALARM CONTROL PANEL LOCATION. ELECTRICAL CONTRACTOR TO PROVIDE 120V POWER TO PANEL. COORDINATE EXACT LOCATION WITH OWNER PRIOR TO ANY WORK.
- 3 PROPOSED MDF RACK LOCATION. COORDINATE LOCATION WITH OWNER.
- 4 PROVIDE GROUND BAR 24" W/F. REFER TO DETAIL.
- 5 3/4" FIRE RATED PLYWOOD TELEPHONE BOARD FINISHED ONE SIDE ALONG ENTIRE WALL. PROVIDE WIDE GROUND BAR AND TIE INTO ELECTRICAL GROUNDING SYSTEM VIA WIRE #4.
- 6 PROVIDE CABLE TRAY AS SHOWN ABOVE THE CEILING. REFER TO SPECIFICATION. SUPPORT FROM STRUCTURE.
- 7 KEY-PAD FOR KITCHEN AND DINING AREAS. CONTRACTOR SHALL VERIFY LOCATION WITH OWNER/ARCHITECT PRIOR TO ANY WORK.
- 8 VOICE EVAC PANEL FLUSH MOUNT TYPE. COORDINATE EXACT LOCATION WITH OWNER/ARCHITECT AND LOCAL JURISDICTION.
- 9 FLUSH MOUNTED FIRE ALARM ANNUNCIATOR. COORDINATE EXACT LOCATION PRIOR TO COMMENCING ANY WORK.
- 10 PROVIDE J-BOX FOR SECURITY DEVICE TO MONITOR FREEZER TEMPERATURE.
- 11 PROVIDE J-BOX FOR SECURITY DEVICE TO MONITOR COOLER TEMPERATURE.
- 12 PROVIDE FIRE ALARM DEVICE FOR FIRE SUPPRESSION SYSTEM. TIE INTO FIRE ALARM SYSTEM.
- 13 SECURITY PANEL LOCATION. ELECTRICAL CONTRACTOR TO PROVIDE 120V POWER TO PANEL. COORDINATE EXACT LOCATION WITH OWNER PRIOR TO ANY WORK.
- 14 PROVIDE 2 RUNS OF 2" CONDUIT AND 1 RUN OF 3" CONDUIT WITH PULLSTRING. PROVIDE OSP RATED CABLE FOR CABLES ROUTED BELOW FINISH GRADE.
- 15 TECHNOLOGY DATA OUTLET SHALL INCLUDE (2) CATEGORY 6A NETWORK CABLE. THIS APPLIES TO ALL OFFICES, CONFERENCE ROOMS, LIBRARY, EQUIPMENT.
- 16 TECHNOLOGY DATA OUTLET SHALL INCLUDE (1) CATEGORY 6A NETWORK CABLE. THIS APPLIES TO ALL CLASSROOM OR STUDIO ROOMS. ROUTE CABLE FROM OUTLET TO RESPECTIVE IDF/MDF ROOM EQUIPMENT.
- 17 PROVIDE 34" C WITH PULLSTRING TO NEAREST NON-FIRE RATED FULL WALL. COORDINATE WITH ALL OTHER DISCIPLINES.



CONSULTANTS:
LANDSCAPE:
COLEMAN ASSOCIATES
9600 SILVER MOULTAIN DRIVE
AUSTIN, TEXAS 78759
TEL: 512.478.2090

CIVIL:
GARZA EMC
7708 W. 12th ST. STE. 105
AUSTIN, TEXAS 78755
TEL: 512.338.3364

STRUCTURAL:
ERO ARCHITECTS
300 S. 8TH STREET
MCALLEN, TX 78501
TEL: 956.661.6400

ARCHITECT:
ERO ARCHITECTS
300 S. 8TH STREET
MCALLEN, TX 78501
TEL: 956.661.6400

MEP:
ENCO TECH ENGINEERING
CONSULTANTS
600 RALPH STONE CIRCLE, STE. B110
AUSTIN, TEXAS 78759
TEL: 512.338.1501

ACOUSTICAL:
WJPH
3404 HODGSON, STE. 124
CARROLLTON, TEXAS 75620
TEL: 972.894.3700

LEED / ENERGY MODEL:
OFFICE FOR LOCAL
ARCHITECTURE
208 E. 5TH STREET, 105-104
AUSTIN, TEXAS 78701
TEL: 512.533.7171

FOOD SERVICE:
BOSMA DESIGN SOLUTIONS
2201 LONG PINEWOOD ROAD, STE. 107/127
FLOWER MOUND, TEXAS 75028
TEL: 469.222.2244

FIRE / DATA / COMMUNICATIONS:
TRINITY MEP ENGINEERING
3533 MONROED DR. STE. A
WESLACO, TEXAS 78758

TA BROWN ELEMENTARY
7801 Crawford St
Austin, Texas 78752
AUSTIN INDEPENDENT SCHOOL DISTRICT

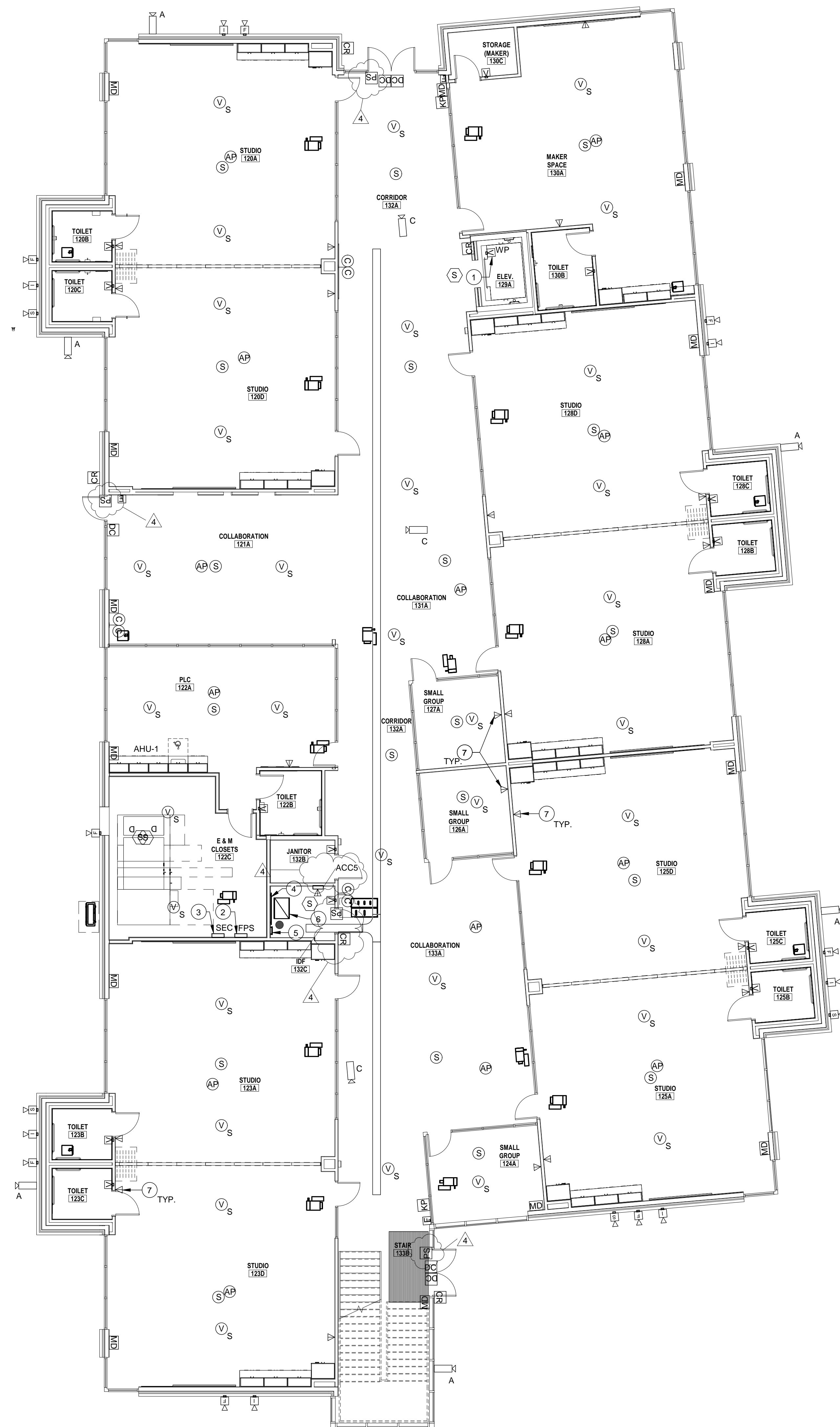
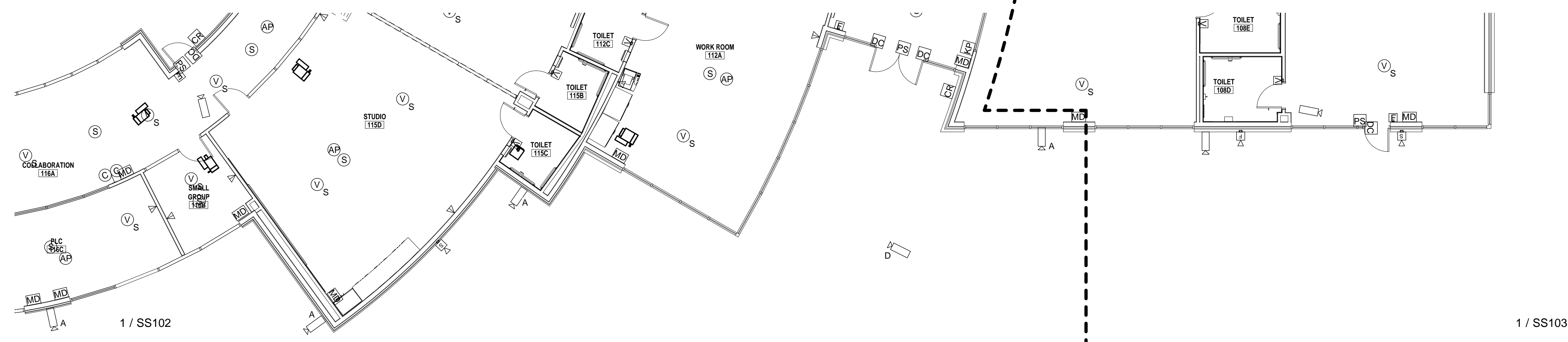
PROJECT NAME
PROJECT LOCATION
PROJECT OWNER

No.	Date	Description
3	01-02-19	ADDENDUM #3
4	01-22-19	CITY COMMENTS ADDENDUM #4

PROJECT NO: 18001
DRAWN BY: Author
CHECKED BY: Checker
SHEET TITLE:

SPECIAL SYSTEM
FIRST FLOOR -
BUILDING B

SS103



GENERAL NOTES - SPECIAL SYSTEMS

- A. COORDINATE EXACT LOCATION AND MOUNTING HEIGHT OF ALL POWER SOURCE WIRING IN ACCORDANCE WITH ARCHITECTURAL MILLWORK.
- B. PROVIDE CLEAR VANDAL COVER WITH STOPPER II OPTION FOR ALL FIRE ALARM PULL STATIONS.
- C. ALL SPECIAL SYSTEM CONDUITS SHALL BE STUBBED UP ABOVE THE CEILING LEVEL IF CABLE TRAY IS PRESENT, STUBBED CONDUITS TO CABLE TRAY.
- D. COORDINATE EXACT LOCATION OF ALL MECHANICAL EQUIPMENT IN ACCORDANCE WITH MECHANICAL DRAWINGS.
- E. ALL CONDUITS SHALL BE REAMED AND COMPLETE WITH CONNECTORS AND INSULATED BUSHINGS AT BOTH ENDS.
- F. ALL DEVICES SHOWN ON DRAWINGS ARE SYMBOLIC ONLY. THE ENTIRE FIRE ALARM SYSTEM SHALL BE IN FULL COMPLIANCE AND MEET ALL CODES AND REQUIREMENTS OF THE LOCAL ADMINISTRATIVE AUTHORITY. ANY MODIFICATIONS REQUIRED TO PROVIDE COMPLIANCE SHALL BE MADE AT NO ADDITIONAL COST TO THE OWNER OR ARCHITECT/ENGINEER.
- G. PROVIDE 2-2C WITH MULTIPLE PULL STRINGS ABOVE CEILING FOR SPECIAL SYSTEMS PATHWAY ABOVE CEILING LEVELS FOR ALL ROOM PENETRATIONS INCLUDING BUT NOT LIMITED TO CLASSROOMS, OFFICES, CORRIDORS, IT ROOMS, ALL FIRE RATED WALLS. SEAL AROUND CONDUITS WITH FIRE RATED SEALANT. CONDUITS TO BE SUPPORTED FROM STRUCTURAL. FIELD COORDINATE EXACT LOCATION. COORDINATE ALL CEILING LEVELS AND CEILING TYPES WITH ARCHITECTURAL DOCUMENTS PRIOR TO COMMENCING ANY ROUGH-INS.

ELECTRICAL KEYNOTES

1. FIRE ALARM DEVICE LOCATED IN ELEVATOR PIT.
2. FIRE ALARM POWER SUPPLY LOCATION. ELECTRICAL CONTRACTOR TO PROVIDE 120V POWER TO PANEL. COORDINATE EXACT LOCATION WITH OWNER PRIOR TO ANY WORK.
3. SECURITY PANEL LOCATION. ELECTRICAL CONTRACTOR TO PROVIDE 120V POWER TO PANEL. COORDINATE EXACT LOCATION WITH OWNER PRIOR TO ANY WORK.
4. 3/4" FIRE RATED PLYWOOD TELEPHONE BOARD FINISHED ONE SIDE ALONG ENTIRE WALL. PROVIDE GROUND BAR AND TIE INTO ELECTRICAL GROUNDING SYSTEM VIA WIRE #4.
5. PROVIDE GROUND BAR 24" AFF. REFER TO DETAIL.
6. PROPOSED IDF RACK LOCATION. COORDINATE LOCATION WITH OWNER.
7. TECHNOLOGY DATA OUTLET SHALL INCLUDE (1) CATEGORY 6A NETWORK CABLE. THIS APPLIES TO ALL CLASSROOM OR STUDIO ROOMS. ROUTE CABLE FROM OUTLET TO RESPECTIVE IDF/IDF ROOM EQUIPMENT.

ero architects
 300 S. 8th Street,
 McAllen, TX 78501
 T 956-661-0400
 F 956-661-0401
 eroarchitects.com

TRINITY
 MEP ENGINEERING
 3533 Monmouth Dr. Ste. A, Westaco, TX
 78786 p 956.973.0800 | f 956-391-5750
 www.trinitymep.com | © copyright 2017
 Texas Registered Engineering Firm -
 F13262 Project number: 18.3.35

FINALS
01/22/2019



CONSULTANTS:
LANDSCAPE:
 COLEMAN ASSOCIATES
 960 SILVER ACACIANT DRIVE
 AUSTIN, TEXAS 78757
 TEL: 512.479.2090

CIVIL:
 GARZA EMC
 7708 W. 19th St., Ste. 120
 AUSTIN, TEXAS 78755
 TEL: 512.298.2304

STRUCTURAL:
 ERO ARCHITECTS
 300 S. 8TH ST
 McALLEN, TX 78501
 TEL: 956.661.0400

ARCHITECT:
 ERO ARCHITECTS
 300 S. 8TH ST
 McALLEN, TX 78501
 TEL: 956.661.0400

MEP:
 ENCO TECH ENGINEERING
 CONSULTANTS
 6208 RALPHSTONE CIRCLE, STE. B110
 AUSTIN, TEXAS 78759
 TEL: 512.338.1501

ACOUSTICAL:
 WJPHV
 3404 HODGSON, STE. 124
 CARROLLTON, TEXAS 75006
 TEL: 972.894.3700

LEED / ENERGY MODEL:
 OFFICE FOR LOCAL
 ARCHITECTURE
 200 E. 21st STREET, NO. 104
 AUSTIN, TEXAS 78701
 TEL: 512.550.7171

FOOD SERVICE:
 BOSMA DESIGN SOLUTIONS
 2201 LONG PINE ROAD, STE. 107/127
 FLOWER MOUND, TEXAS 75028
 TEL: 469.222.2244

FIRE / DATA / COMMUNICATIONS:
 TRINITY MEP ENGINEERING
 3533 MONMOUTH DR
 WESTACO, TEXAS 78786

TA BROWN ELEMENTARY
 7801 Caspary, St
 Austin, Texas 78752
 AUSTIN INDEPENDENT SCHOOL DISTRICT

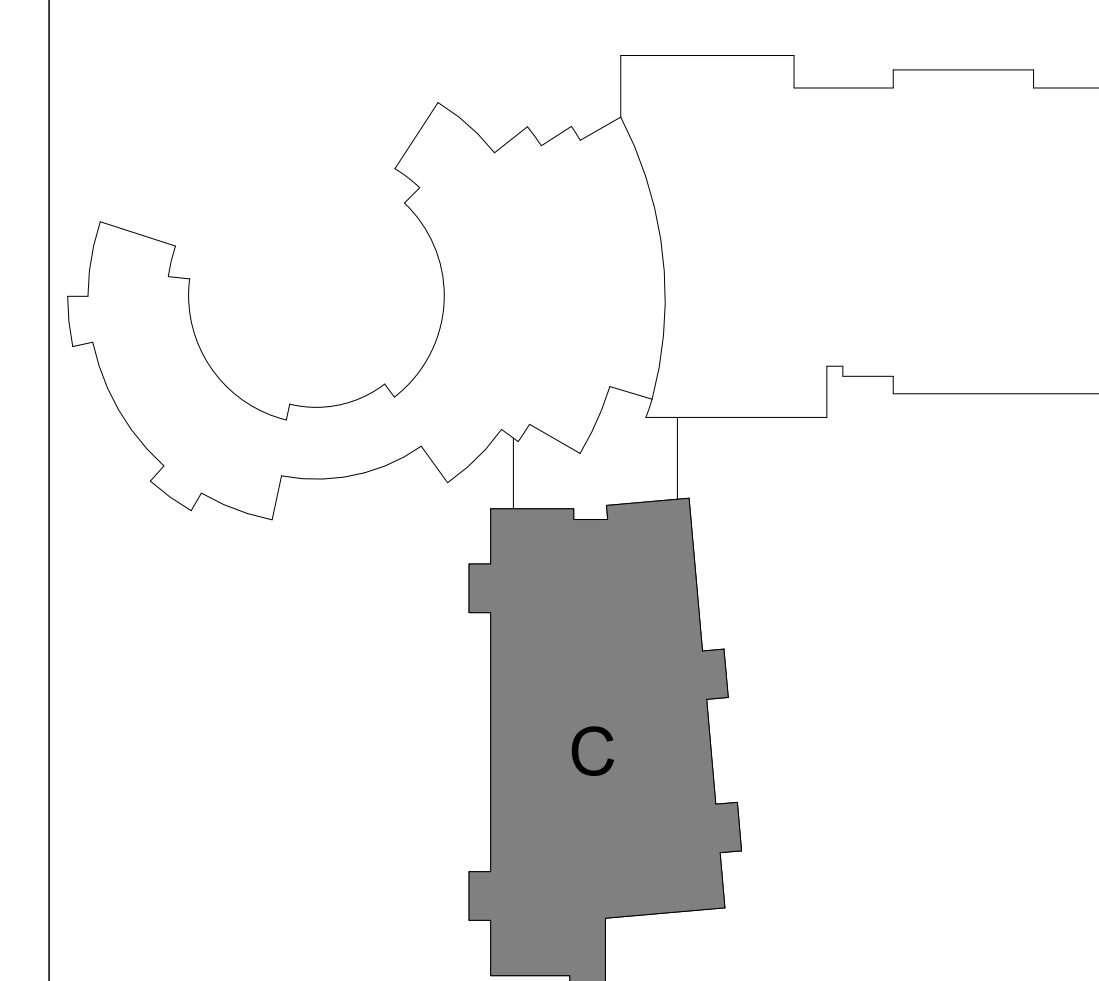
PROJECT NAME
 PROJECT LOCATION
 PROJECT OWNER

No.	Date	Description
3	01/07/19	ADDENDUM #3
4	01/22/19	CITY COMMENTS ADDENDUM #4

PROJECT NO: 18001
 DRAWN BY: Auhof
 CHECKED BY: Checker
 SHEET TITLE:

SPECIAL SYSTEMS
 FIRST FLOOR -
 BUILDING C

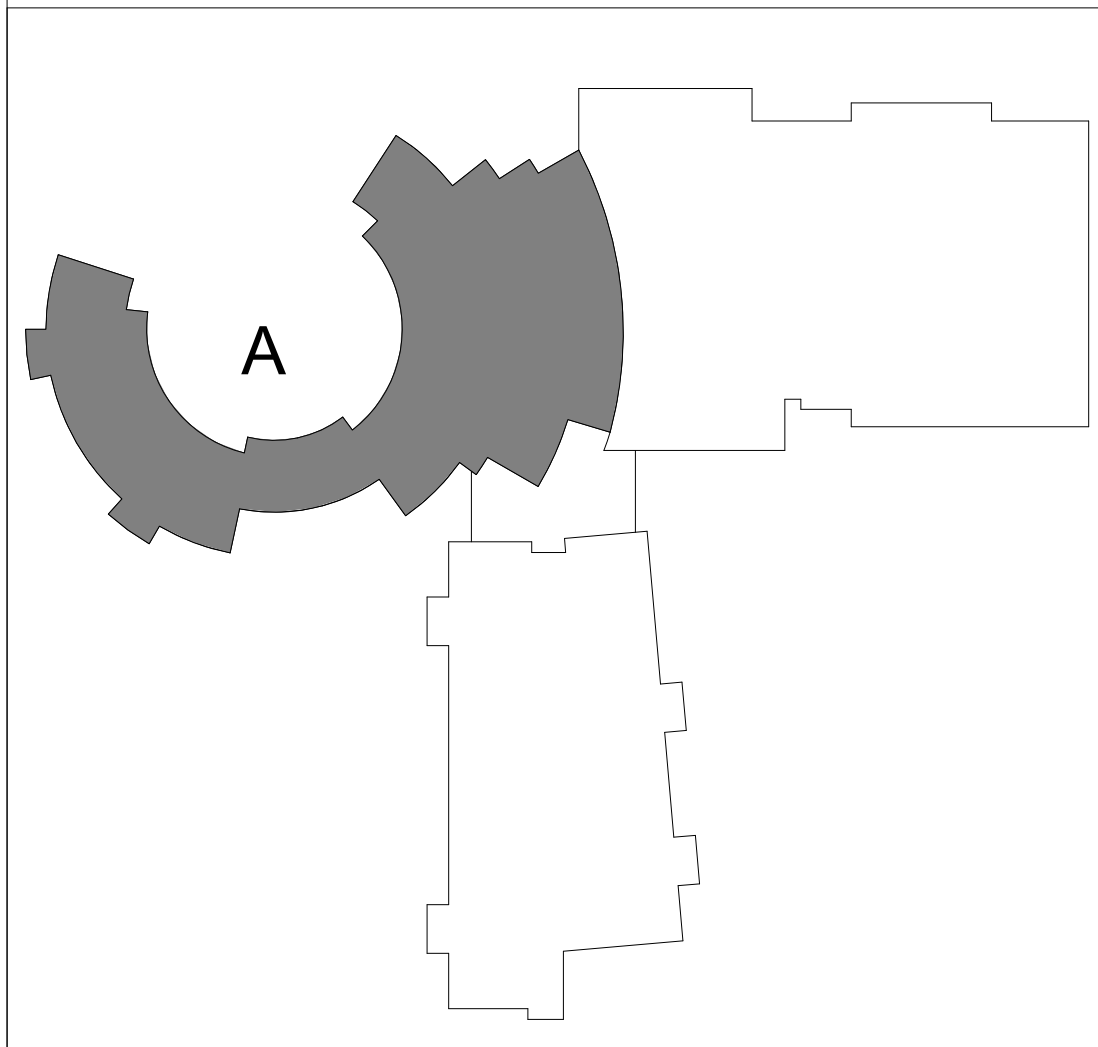
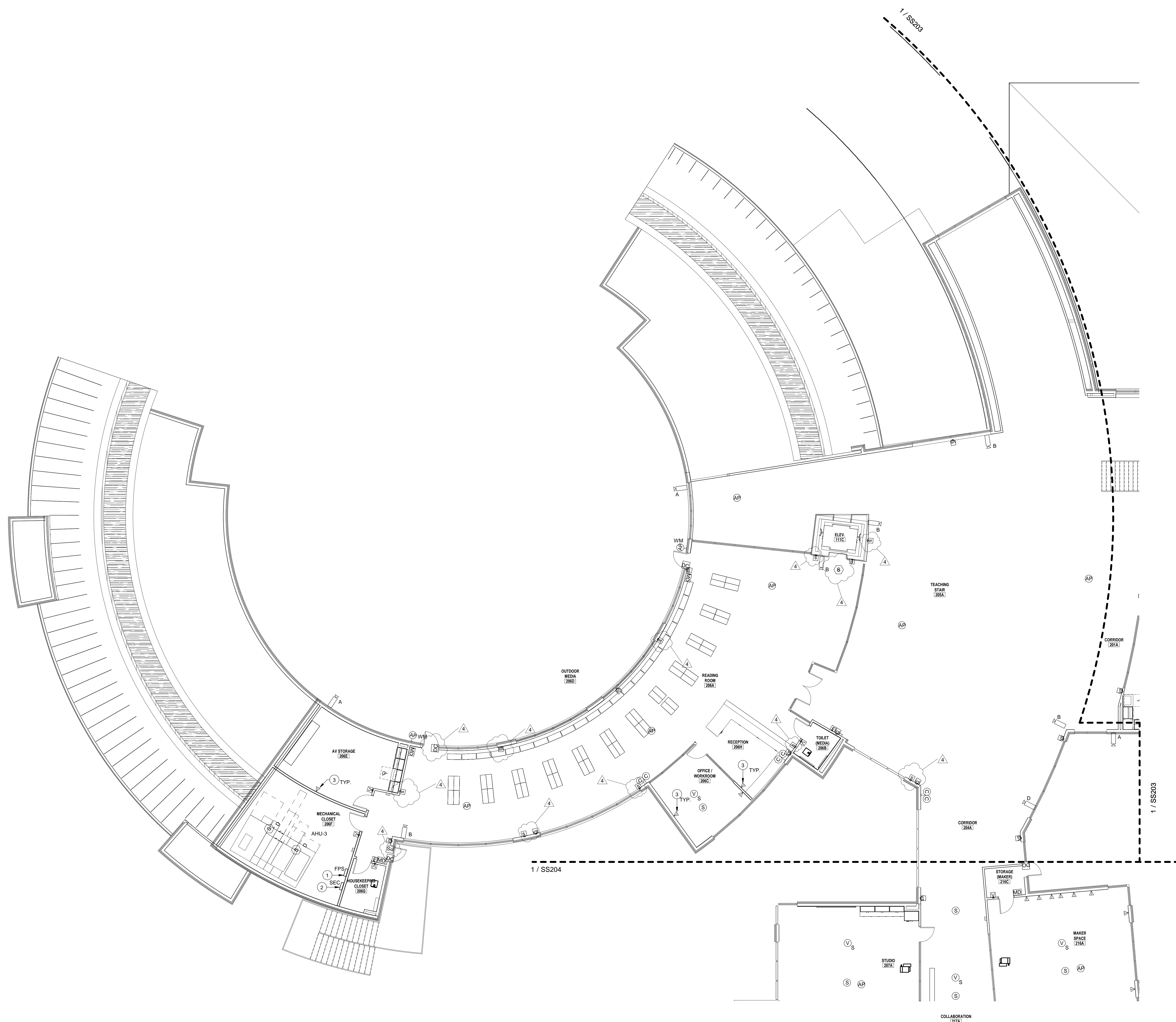
SS104



- GENERAL NOTES - SPECIAL SYSTEMS**
- COORDINATE EXACT LOCATION AND MOUNTING HEIGHT OF ALL POWER SOURCE WIRING IN ACCORDANCE WITH ARCHITECTURAL MILLWORK.
 - PROVIDE CLEAR VANDAL COVER WITH STOPPER II OPTION FOR ALL FIRE ALARM PULL STATIONS.
 - ALL SPECIAL SYSTEM CONDUITS SHALL BE STUBBED UP ABOVE THE CEILING LEVEL. IF CABLE TRAY IS PRESENT, STUBBED CONDUITS TO CABLE TRAY.
 - COORDINATE EXACT LOCATION OF ALL MECHANICAL EQUIPMENT IN ACCORDANCE MECHANICAL DRAWINGS.
 - ALL CONDUITS SHALL BE REAMED AND COMPLETE WITH CONNECTORS AND INSULATED BUSHINGS AT BOTH ENDS.
 - ALL DEVICES SHOWN ON DRAWINGS ARE SYMBOLIC ONLY. THE ENTIRE FIRE ALARM SYSTEM SHALL BE IN FULL COMPLIANCE AND MEET ALL CODES AND REQUIREMENTS OF THE LOCAL ADMINISTRATIVE AUTHORITY. ANY MODIFICATIONS REQUIRED TO PROVIDE COMPLIANCE SHALL BE MADE AT NO ADDITIONAL COST TO THE OWNER OR ARCHITECT/ENGINEER.
 - PROVIDE 2" C WITH MULTIPLE PULLSTRINGS ABOVE CEILING FOR SPECIAL SYSTEMS PATHWAY ABOVE CEILING LEVELS FOR ALL ROOM PENETRATIONS INCLUDING BUT NOT LIMITED TO CLASSROOMS, OFFICES, CORRIDORS, IT ROOMS, ALL FIRE RATED WALLS. SEAL AROUND CONDUITS WITH FIRE RATED SEALANT. CONDUITS TO BE SUPPORTED FROM STRUCTURAL. FIELD COORDINATE EXACT LOCATION. COORDINATE ALL CEILING LEVELS AND CEILING TYPES WITH ARCHITECTURAL DOCUMENTS PRIOR TO COMMENCING ANY ROUGH-INS.

ELECTRICAL KEYNOTES

1	FIRE ALARM POWER SUPPLY LOCATION. ELECTRICAL CONTRACTOR TO PROVIDE 120V POWER TO PANEL. COORDINATE EXACT LOCATION WITH OWNER PRIOR TO ANY WORK.
2	SECURITY PANEL LOCATION. ELECTRICAL CONTRACTOR TO PROVIDE 120V POWER TO PANEL. COORDINATE EXACT LOCATION WITH OWNER PRIOR TO ANY WORK.
3	TECHNOLOGY DATA OUTLET SHALL INCLUDE (2) CATEGORY 6A NETWORK CABLE. THIS APPLIES TO ALL OFFICES, CONFERENCE ROOMS, LIBRARY. ROUTE CABLE FROM OUTLET TO RESPECTIVE IDF/MDF ROOM EQUIPMENT.



TA BROWN ELEMENTARY
7801 Cuckooing St
Austin, Texas 78752
AUSTIN INDEPENDENT SCHOOL DISTRICT

PROJECT NAME
PROJECT LOCATION
PROJECT OWNER

No.	Date	Description
3	01-07-19	Addressed #3
4	01-22-19	CITY COMMENTS ADDRESSING #4

PROJECT NO: 18001
DRAWN BY: Auhof
CHECKED BY: Checker
SHEET TITLE:

SPECIAL SYSTEMS
SECOND FLOOR -
BUILDING A

SS202



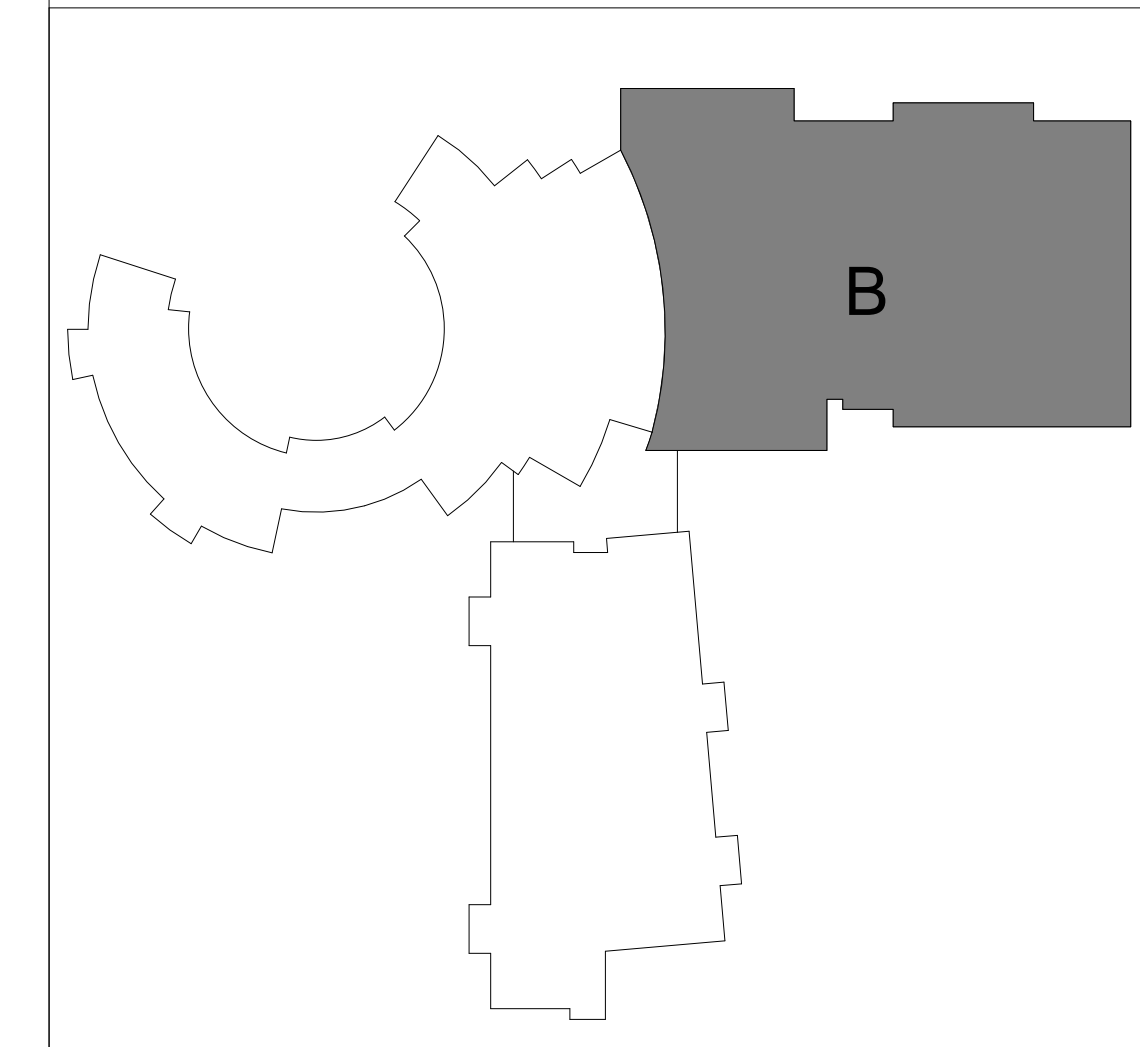
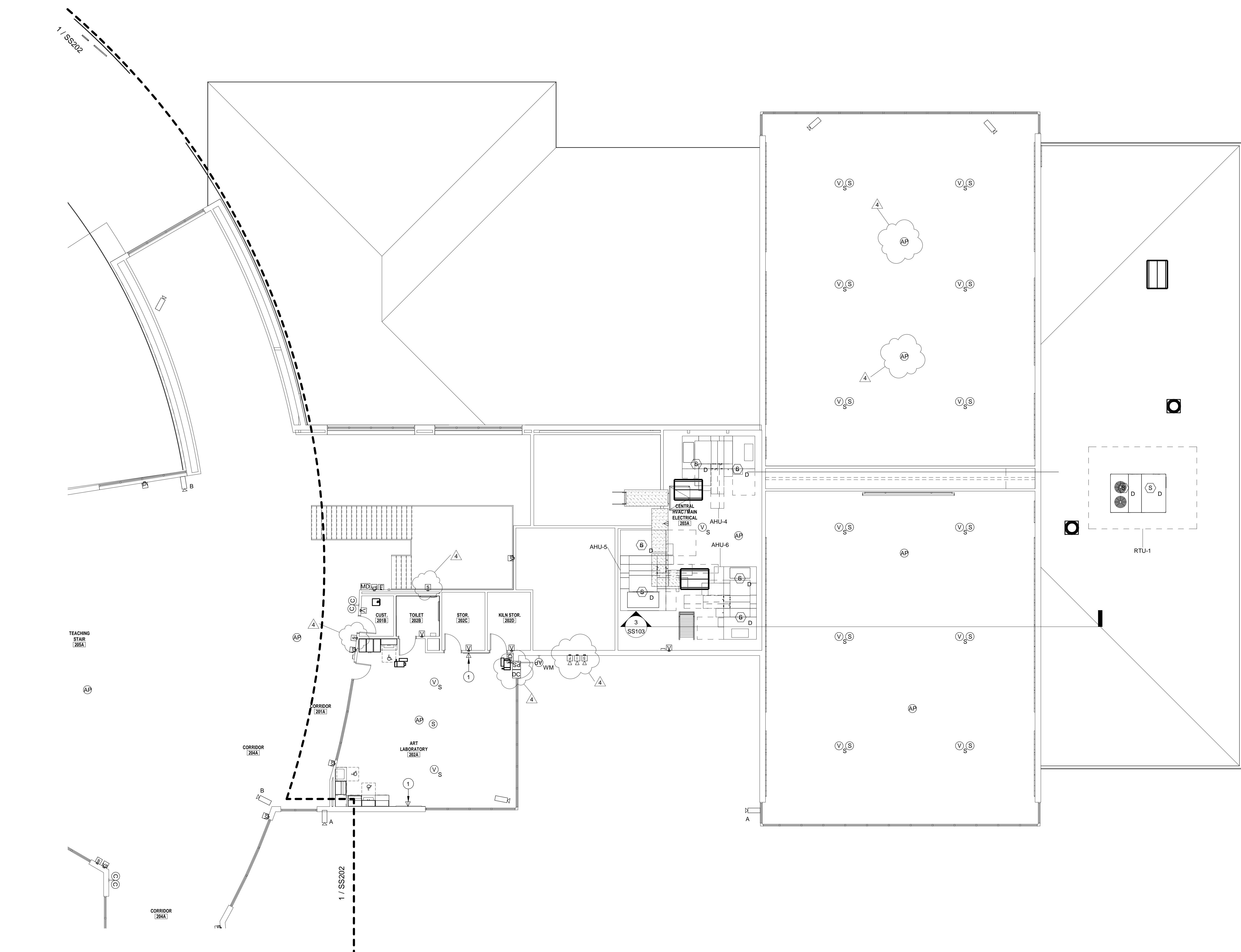
- CONSULTANTS:**
LANDSCAPE:
COLEMAN ASSOCIATES
960 SILVER ACACIA DRIVE
AUSTIN, TEXAS 78757
TEL: 512.479.2090
- CIVIL:**
GARZA EMC
7708 WALTON DRIVE, STE. 126
AUSTIN, TEXAS 78755
TEL: 512.298.2064
- STRUCTURAL:**
ERO ARCHITECTS
208 E. 37th ST
MCALLEN, TX 78501
TEL: 956.661.6400
- ARCHITECT:**
ERO ARCHITECTS
208 E. 37th ST
MCALLEN, TX 78501
TEL: 956.661.6400
- MEP:**
ENCOTECH ENGINEERING
CONSULTANTS
400 RALPH STONE DRIVE, STE. B103
AUSTIN, TEXAS 78759
TEL: 512.338.1501
- ACOUSTICAL:**
WJPHV
340 HENDRYT, STE. 124
CORPUS CHRISTI, TEXAS 78408
TEL: 972.894.3700
- LEED / ENERGY MODEL:**
OFFICE FOR LOCAL
ARCHITECTURE
208 E. 37th STREET, NO. 104
AUSTIN, TEXAS 78701
TEL: 512.503.7171
- FOOD SERVICE:**
BOSMA DESIGN SOLUTIONS
2201 LONG PINEWOOD ROAD, STE. 107/127
FLOWER MOUND, TEXAS 76028
TEL: 469.422.2294
- FIRE / DATA / COMMUNICATIONS:**
TRINITY MEP ENGINEERING
3533 MONROND DR.
WESLACO, TEXAS 78756

GENERAL NOTES - SPECIAL SYSTEMS

- COORDINATE EXACT LOCATION AND MOUNTING HEIGHT OF ALL POWER SOURCE WIRING IN ACCORDANCE WITH ARCHITECTURAL MILLWORK.
- PROVIDE CLEAR VANDAL COVER WITH STOPPER II OPTION FOR ALL FIRE ALARM PULL STATIONS.
- ALL SPECIAL SYSTEM CONDUITS SHALL BE STUBBED UP ABOVE THE CEILING LEVEL. IF CABLE TRAY IS PRESENT, STUBBED CONDUITS TO CABLE TRAY.
- COORDINATE EXACT LOCATION OF ALL MECHANICAL EQUIPMENT IN ACCORDANCE MECHANICAL DRAWINGS.
- ALL CONDUITS SHALL REAMED AND COMPLETE WITH CONNECTORS AND INSULATED BUSHINGS AT BOTH ENDS.
- ALL DEVICES SHOWN ON DRAWINGS ARE SYMBOLIC ONLY. THE ENTIRE FIRE ALARM SYSTEM SHALL BE IN FULL COMPLIANCE AND MEET ALL CODES AND REQUIREMENTS OF THE LOCAL ADMINISTRATIVE AUTHORITY. ANY MODIFICATIONS REQUIRED TO PROVIDE COMPLIANCE SHALL BE MADE AT NO ADDITIONAL COST TO THE OWNER OR ARCHITECT/ENGINEER.
- PROVIDE 2" C WITH MULTIPLE PULL STRINGS ABOVE CEILING FOR SPECIAL SYSTEMS PATHWAY ABOVE CEILING LEVELS FOR ALL ROOM PENETRATIONS INCLUDING BUT NOT LIMITED TO CLASSROOMS, OFFICES, CORRIDORS, IT ROOMS. ALL FIRE RATED WALLS, SEAL AROUND CONDUITS WITH FIRE RATED SEALANT. CONDUITS TO BE SUPPORTED FROM STRUCTURAL FIELD. COORDINATE EXACT LOCATION. COORDINATE ALL CEILING LEVELS AND CEILING TYPES WITH ARCHITECTURAL DOCUMENTS PRIOR TO COMMENCING ANY ROUGH-INS.

ELECTRICAL KEYNOTES

1	TECHNOLOGY DATA OUTLET SHALL INCLUDE (1) CATEGORY 6A NETWORK CABLE. THIS APPLIES TO ALL CLASSROOM OR STUDIO ROOMS. ROUTE CABLE FROM OUTLET TO RESPECTIVE IDF/MDF ROOM EQUIPMENT.
---	--



1 SPECIAL SYSTEM SECOND FLOOR - COLONY
1/8" = 1'-0"

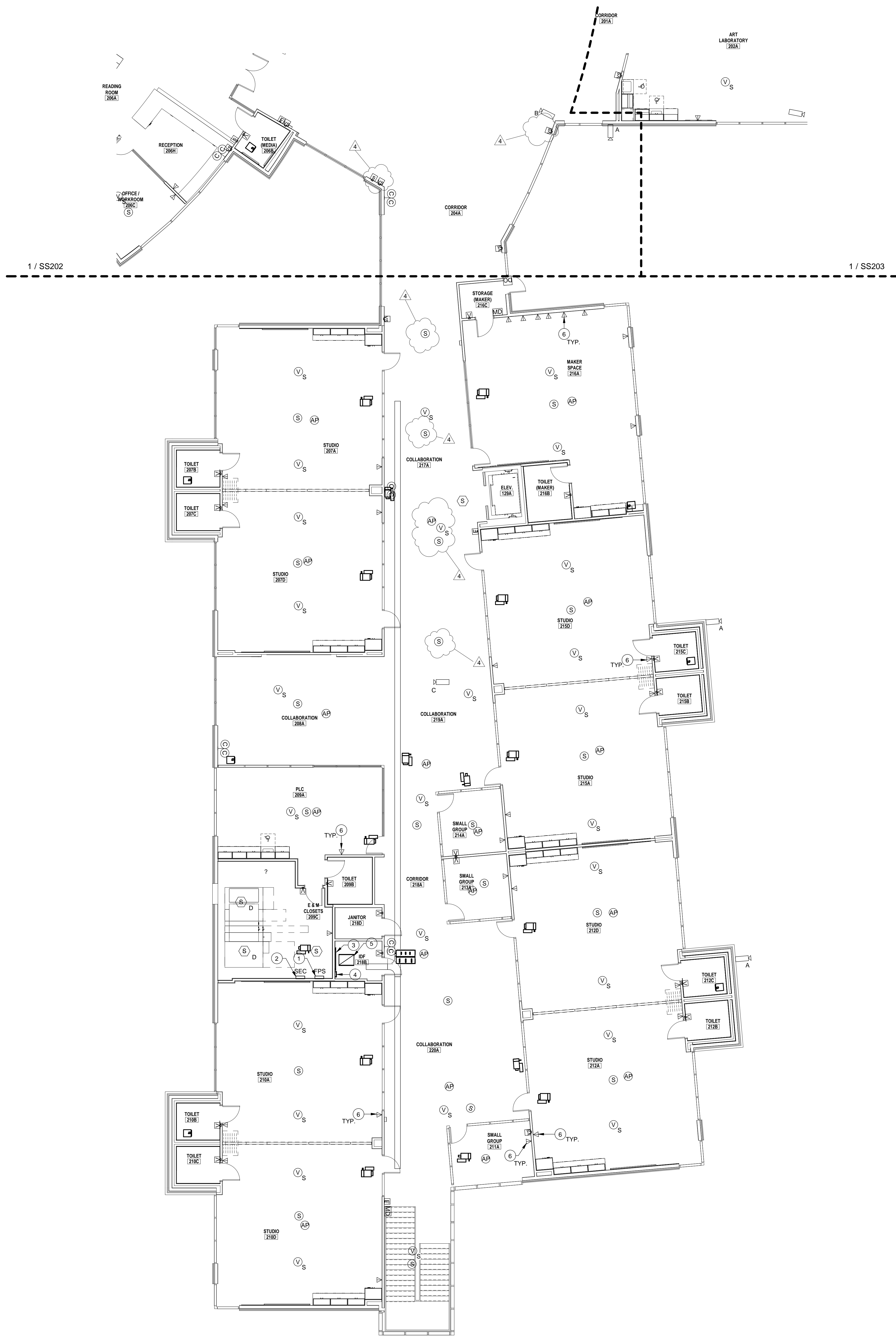
TA BROWN ELEMENTARY
7801 Cawthrae St
Austin, Texas 78752
AUSTIN INDEPENDENT SCHOOL DISTRICT

PROJECT NAME
PROJECT LOCATION
PROJECT OWNER

No.	Date	Description
3	01-07-19	ADDENDUM #3
4	01-22-19	CITY COMMENTS ADDENDUM #4

PROJECT NO: 18001
DRAWN BY: Auhoi
CHECKED BY: Checker
SHEET TITLE:

SPECIAL SYSTEMS
SECOND FLOOR -
BUILDING B
SS203



GENERAL NOTES - SPECIAL SYSTEMS

- A. COORDINATE EXACT LOCATION AND MOUNTING HEIGHT OF ALL POWER SOURCE WIRING IN ACCORDANCE WITH ARCHITECTURAL MILLWORK.
- B. PROVIDE CLEAR VANDAL COVER WITH STOPPER IF OPTION FOR ALL FIRE ALARM PULL STATIONS.
- C. ALL SPECIAL SYSTEM CONDUITS SHALL BE STUBBED UP ABOVE THE CEILING LEVEL. IF CABLE TRAY IS PRESENT, STUBBED CONDUITS TO CABLE TRAY IN ACCORDANCE MECHANICAL DRAWINGS.
- D. COORDINATE EXACT LOCATION OF ALL MECHANICAL EQUIPMENT IN ACCORDANCE MECHANICAL DRAWINGS.
- E. ALL CONDUITS SHALL BE REAMED AND COMPLETE WITH CONNECTORS AND INSULATED BUSHINGS AT BOTH ENDS.
- F. ALL DEVICES SHOWN ON DRAWINGS ARE SYMBOLIC ONLY. THE ENTIRE FIRE ALARM SYSTEM SHALL BE IN FULL COMPLIANCE AND MEET ALL CODES AND REQUIREMENTS OF THE LOCAL ADMINISTRATIVE AUTHORITY. ANY MODIFICATIONS REQUIRED TO PROVIDE COMPLIANCE SHALL BE MADE AT NO ADDITIONAL COST TO THE OWNER OR ARCHITECT/ENGINEER.
- G. PROVIDE 2" C WITH MULTIPLE PULL STRINGS ABOVE CEILING FOR SPECIAL SYSTEMS PATHWAY ABOVE CEILING LEVELS FOR ALL ROOM PENETRATIONS INCLUDING BUT NOT LIMITED TO CLASSROOMS, OFFICES, CORRIDORS, IT ROOMS. ALL FIRE RATED WALLS SEAL AROUND CONDUITS WITH FIRE RATED SEALANT. CONDUITS TO BE SUPPORTED FROM STRUCTURAL. FIELD COORDINATE EXACT LOCATION, COORDINATE ALL CEILING LEVELS AND CEILING TYPES WITH ARCHITECTURAL DOCUMENTS PRIOR TO COMMENCING ANY ROUGH-INS.

ELECTRICAL KEYNOTES	
1	FIRE ALARM POWER SUPPLY LOCATION. ELECTRICAL CONTRACTOR TO PROVIDE 120V POWER TO PANEL. COORDINATE EXACT LOCATION WITH OWNER PRIOR TO ANY WORK.
2	SECURITY PANEL LOCATION. ELECTRICAL CONTRACTOR TO PROVIDE 120V POWER TO PANEL. COORDINATE EXACT LOCATION WITH OWNER PRIOR TO ANY WORK.
3	3/4" FIRE RATED PLYWOOD TELEPHONE BOARD FINISHED ONE SIDE ALONG ENTIRE WALL. PROVIDE GROUND BAR AND TIE INTO ELECTRICAL GROUNDING SYSTEM VIA WIRE #4.
4	PROVIDE GROUND BAR 2X4 AFF. REFER TO DETAIL.
5	PROPOSED IDF RACK LOCATION. COORDINATE LOCATION WITH OWNER.
6	TECHNOLOGY DATA OUTLET SHALL INCLUDE (1) CATEGORY 6A NETWORK CABLE. THIS APPLIES TO ALL CLASSROOM OR STUDIO ROOMS. ROUTE CABLE FROM OUTLET TO RESPECTIVE IDF/MDF ROOM EQUIPMENT.

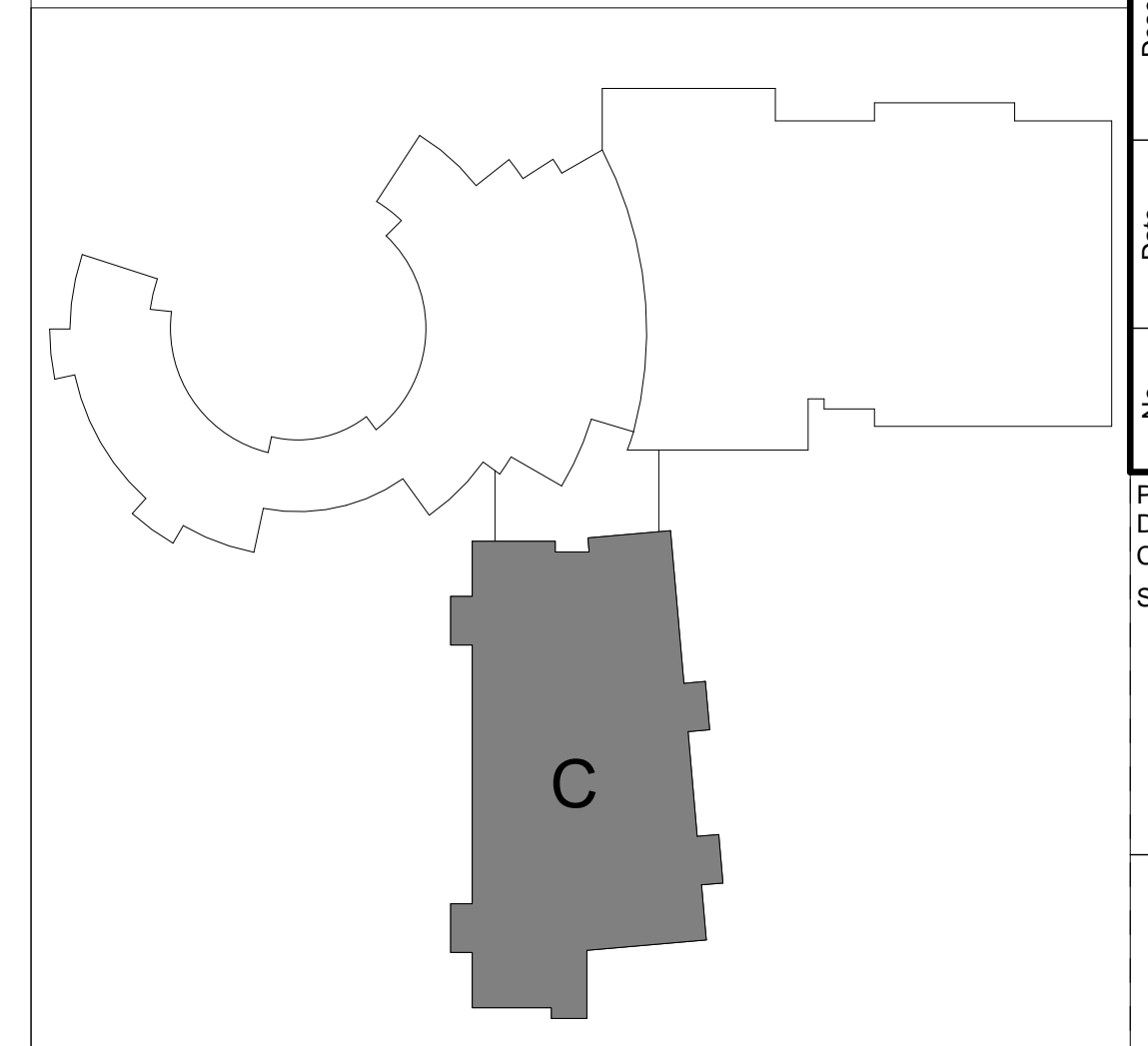
ero architects
 300 S. 8th Street,
 McAllen, TX 78501
 T 956-661-0400
 F 956-661-0401
 eroarchitects.com

TRINITY
 MEP ENGINEERING
 3533 Monroed Dr. Ste A | Waco, TX
 76798 p 956.873.0500 | f 956-391-5750
 www.trinitymep.com | Copyright 2017
 Texas Registered Engineering Firm -
 F10262 Project number: 18.3.35

FINALS
 01/22/2019

- CONSULTANTS:**
LANDSCAPE:
 COLEMAN ASSOCIATES
 960 SILVER ACACIA DRIVE
 AUSTIN, TEXAS 78757
 TEL: 512.476.2090
- CIVIL:**
 GARZA EMC
 7708 W. 10th St. Ste. 125
 AUSTIN, TEXAS 78755
 TEL: 512.298.3366
- STRUCTURAL:**
 ERO ARCHITECTS
 300 S. 8TH STREET
 McALLEN, TX 78501
 TEL: 956.661.0400
- ARCHITECT:**
 ERO ARCHITECTS
 300 S. 8TH STREET
 McALLEN, TX 78501
 TEL: 956.661.0400
- MEP:**
 ENCO TECH ENGINEERING
 CONSULTANTS
 6500 RALPH STONE CIRCLE, STE. B103
 AUSTIN, TEXAS 78759
 TEL: 512.338.1501
- ACOUSTICAL:**
 WJPHV
 3404 HODGKIN COURT, STE. 124
 CARROLLTON, TEXAS 75006
 TEL: 972.894.3700
- LEED / ENERGY MODEL:**
 ARCHITECTURE FOR LOCAL ARCHITECTURE
 200 E. 20th STREET, NO. 104
 AUSTIN, TEXAS 78701
 TEL: 512.550.7171
- FOOD SERVICE:**
 BOSMA DESIGN SOLUTIONS
 2201 LOUIS PHARR ROAD, STE. 107/127
 FLOWER MOUND, TEXAS 76038
 TEL: 469.222.2244
- FIRE / DATA / COMMUNICATIONS:**
 TRINITY MEP ENGINEERING
 3533 MONROED DR.
 WACO, TEXAS 76798

TA BROWN ELEMENTARY
 7801 Coalinga St
 Austin, Texas 78752
 AUSTIN INDEPENDENT SCHOOL DISTRICT



No.	Date	Description	PROJECT NAME	PROJECT LOCATION	PROJECT OWNER
3	01-07-18	Addressed #3	TA BROWN ELEMENTARY	7801 Coalinga St, Austin, TX 78752	AUSTIN INDEPENDENT SCHOOL DISTRICT
4	01-22-19	CITY COMMENTS ADDRESSING #4			

PROJECT NO: 18001
 DRAWN BY: Author
 CHECKED BY: Checker
 SHEET TITLE:
**SPECIAL SYSTEMS
 SECOND FLOOR -
 BUILDING C**

SS204

1 SPECIAL SYSTEM SECOND FLOOR -DEN
 1/8" = 1'-0"